



Western Suburbs Radio Club Inc.

February 2019 Newsletter

ZL1AC, Branch 03 NZART 3000 Great North Road New Lynn,
PO Box 15-122 New Lynn WAITAKERE 0640

President: Ian Sangster ZL1RCA, Vice President – Grant Manning ZL1GSM.

Secretary: Andrew Mitchell, ZL1AF, Treasurer Merv Thomas ZL1SK,

Newsletter Editor – John Neill ZL1NE.

VHF Club Net Wednesday 08:30pm 146.525 MHz,

HF Club Net Fridays 08:00pm 3.650 MHz

Website <http://www.amateurradio.co.nz/>

Club Calendar 2019

Wednesday	20 th	February	Visit to MOTAT. Meet Meola Road Carpark 10:00am
Saturday	23 rd	February	Committee Meeting 9:00am
Saturday	23 rd	February	Club Meeting 10:00am – Working Bee to clean up and dispose of unwanted radio equipment
Saturday	23 rd	February	HF Field Day
Sunday	24 th	February	HF Field Day
Wednesday	6 th	March	Informal Meeting at the Clubrooms 9:30am
Sunday	17 th	March	St Patricks' Day Parade – Radio Operators Required
Wednesday	20 th	March	Informal Meeting at the Clubrooms 9:30am
Saturday	23 rd	March	Committee Meeting 9:00am
Saturday	23 rd	March	Club Meeting 10:00am – Topic to be Announced
Wednesday	3 rd	April	Informal Meeting at the Clubrooms 9:30am
Wednesday	17 th	April	Informal Meeting at the Clubrooms 9:30am
Friday	19 th	April	Good Friday
Monday	22 nd	April	Easter Monday
Thursday	25 th	April	Anzac Day
Saturday	27 th	April	Committee Meeting 9:00am
Saturday	27 th	April	Club Meeting 10:00am – Topic to be Announced
Wednesday	1 st	May	Informal Meeting at the Clubrooms 9:30am
Sunday	12 th	May	Mother's Day
Wednesday	15 th	May	Informal Meeting at the Clubrooms 9:30am
Saturday	25 th	May	Committee Meeting 9:00am
Saturday	25 th	May	Club Meeting 10:00am – Topic to be Announced
Wednesday	29 th	May	Informal Meeting at the Clubrooms 9:30am
Friday	31 st	May	NZART Conference
Saturday	1 st	June	NZART Conference
Sunday	2 nd	June	NZART Conference
Monday	3 rd	June	Queens Birthday
Wednesday	5 th	June	Informal Meeting at the Clubrooms 9:30am
Wednesday	12 th	June	Mid-winter Dinner – Date and Venue to be confirmed
Wednesday	19 th	June	Informal Meeting at the Clubrooms 9:30am
Saturday	22 nd	June	Committee Meeting 9:00am
Saturday	22 nd	June	Club Meeting 10:00am – Topic to be Announced
Wednesday	3 rd	July	Informal Meeting at the Clubrooms 9:30am
Wednesday	17 th	July	Informal Meeting at the Clubrooms 9:30am
Saturday	27 th	July	Committee Meeting 9:00am
Saturday	27 th	July	Club Meeting 10:00am – Topic to be Announced
Wednesday	31 st	July	Informal Meeting at the Clubrooms 9:30am
Wednesday	7 th	August	Informal Meeting at the Clubrooms 9:30am
Wednesday	21 st	August	Informal Meeting at the Clubrooms 9:30am
Saturday	24 th	August	Committee Meeting 9:00am

Saturday	24 th	August	Club Meeting 10:00am – Topic to be Announced
Sunday	1 st	September	Fathers Day
Wednesday	4 th	September	Informal Meeting at the Clubrooms 9:30am
Wednesday	18 th	September	Informal Meeting at the Clubrooms 9:30am
Saturday	28 th	September	Committee Meeting 9:00am
Saturday	28 th	September	Club Meeting 10:00am – Topic to be Announced
Wednesday	2 nd	October	Informal Meeting at the Clubrooms 9:30am
Wednesday	16 th	October	Informal Meeting at the Clubrooms 9:30am
Saturday	26 th	October	Committee Meeting 9:00am
Saturday	26 th	October	Club Meeting 10:00am – Topic to be Announced
Monday	28 th	October	Labour Day
Wednesday	30 th	October	Informal Meeting at the Clubrooms 9:30am
Saturday	2 nd	November	WSRC Used Equipment Sale – Date and Venue to be confirmed
Wednesday	6 th	November	Informal Meeting at the Clubrooms 9:30am
Wednesday	20 th	November	Informal Meeting at the Clubrooms 9:30am
Saturday	23 rd	November	Committee Meeting 9:00am
Saturday	23 rd	November	Club Meeting 10:00am – Topic to be Announced
Wednesday	4 th	December	Informal Meeting at the Clubrooms 9:30am
Wednesday	11 th	December	Christmas Dinner – Date and Venue to be confirmed
Wednesday	18 th	December	Informal Meeting at the Clubrooms 9:30am
Tuesday	24 th	December	Christmas Eve
Wednesday	25 th	December	Christmas Day
Thursday	26 th	December	Boxing Day
Tuesday	31 st	December	New Year's Eve
2020			
Wednesday	1 st	January	New Year's Day

Meeting Agendas

If you have a topic that you would like to present at a club meeting, could you please contact the President or Vice President prior to meetings so that the item can be programmed for a future date.

Informal Wednesday Meetings

These are continuing every first, third and fifth (if there is one) Wednesdays of the month. Attendance is good so do come along for a relaxing morning and a chat.

For variation, and to make use of the good weather, we are meeting at Motat this coming Wednesday (20th February). We will meet in the carpark off Meola Road at 10:00am and look through the Aviation and Rail sections. If you can spare the time do come along and enjoy yourself.

February Meeting

We are planning another working bee for this meeting. We still have a lot of unsaleable equipment cluttering up the clubrooms that we need to dispose of.

HF Field Day

If you are interested in participating in this contest then please let the committee know. At this stage we do not have enough club members interested to be able to put together a team. Field day is the weekend of 23rd and 24th February.

Club Nets

VHF Net 146.525 MHz 8:30pm every Wednesday.

HF Net 3.650 MHz +/- 10 KHz if QRM/QRN is a problem at 8:00pm every Friday. All are welcome to check in on the nets.

The HF Net roster is opposite. The full HF Net Roster can be found on:

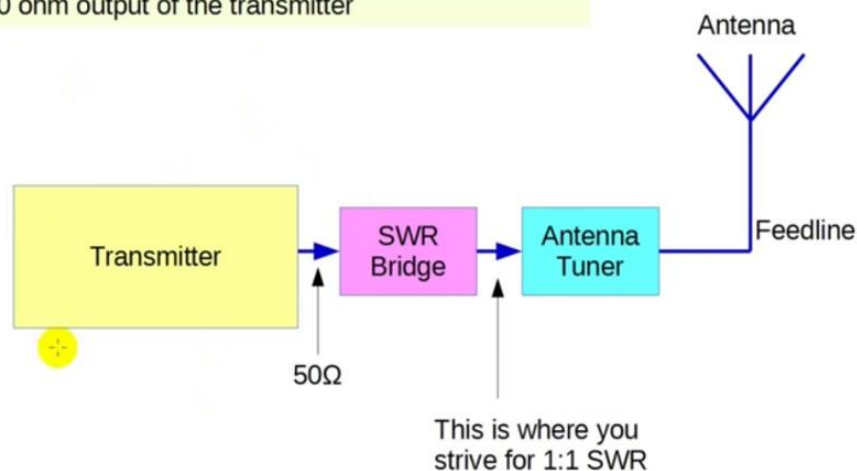
<http://www.amateurradio.co.nz/>.

22-Feb-19	ZL1AF	Andrew
1-Mar-19	ZL1RCA	Ian
8-Mar-19	ZL1LK	Roy
15-Mar-19	ZL1BAK	Graeme
22-Mar-19	ZL1NE	John
29-Mar-19	ZL1AF	Andrew
5-Apr-19	ZL1RCA	Ian
12-Apr-19	ZL1LK	Roy
19-Apr-19	ZL1BAK	Graeme
26-Apr-19	ZL1NE	John

Setting up an HF Radio Transceiver

The diagram below (courtesy of Dave Casler KE0OG via a screen snapshot from YouTube) indicates the correct sequence that an antenna tuner and SWR bridge should be connected between a transceiver and antenna. The antenna should be designed as close as possible to be resonant at the frequency that you are most likely to be using. The antenna tuner, sometimes referred to as an Antenna Coupler, will allow matching of an antenna that has been designed for a particular frequency to be used on a range of frequencies.

The "tuner" is an impedance matching device that matches the impedance of the antenna/feedline/tuner to the 50 ohm output of the transmitter



Some transceivers have built in antenna tuners in which case you will not need an antenna tuner. Also, some antenna tuners have built in SWR bridges and that eliminates the need for a separate SWR bridge. If your antenna tuner has a built in SWR Bridge, then it will be connected between the transceiver and antenna in the same sequence as the diagram above.

Some antennae, such as the G5RV multi-band dipole which is designed for a range of frequencies, will not function with any certainty on any frequency without an antenna tuner. If you only intend working on one particular frequency (unusual in the real world) then an antenna resonant on the frequency that you intend using will probably not need an antenna tuner. However, an SWR bridge between the transceiver and the antenna will give peace of mind that everything is working fine.

Remember, we are striving for an SWR value of 1.0:1 to get the best results for transmission.